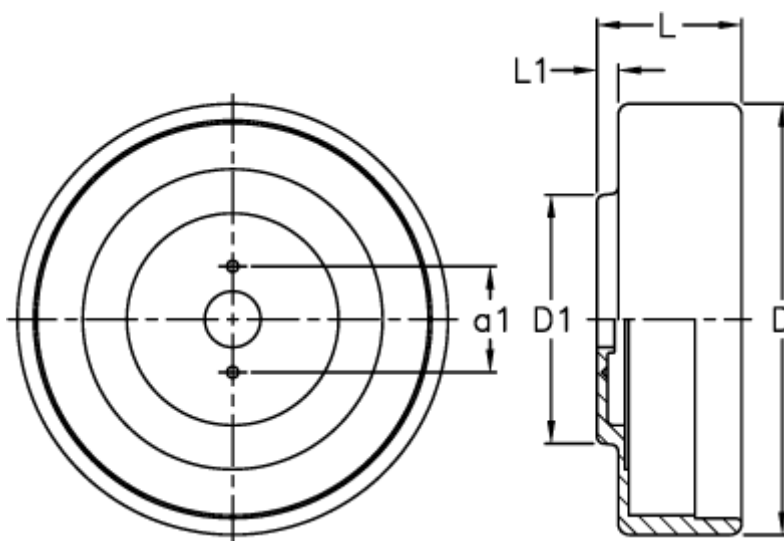


Data Sheet



Article number: 2307040002
Description: E+G Indicator housing
SC.GXX2

Measures



$a1 = 31.6$

$D = 76$

$D1 = 57$

$L = 34$

$L1 = 1$